

Too Hot To Drop!

Compression Drop-T

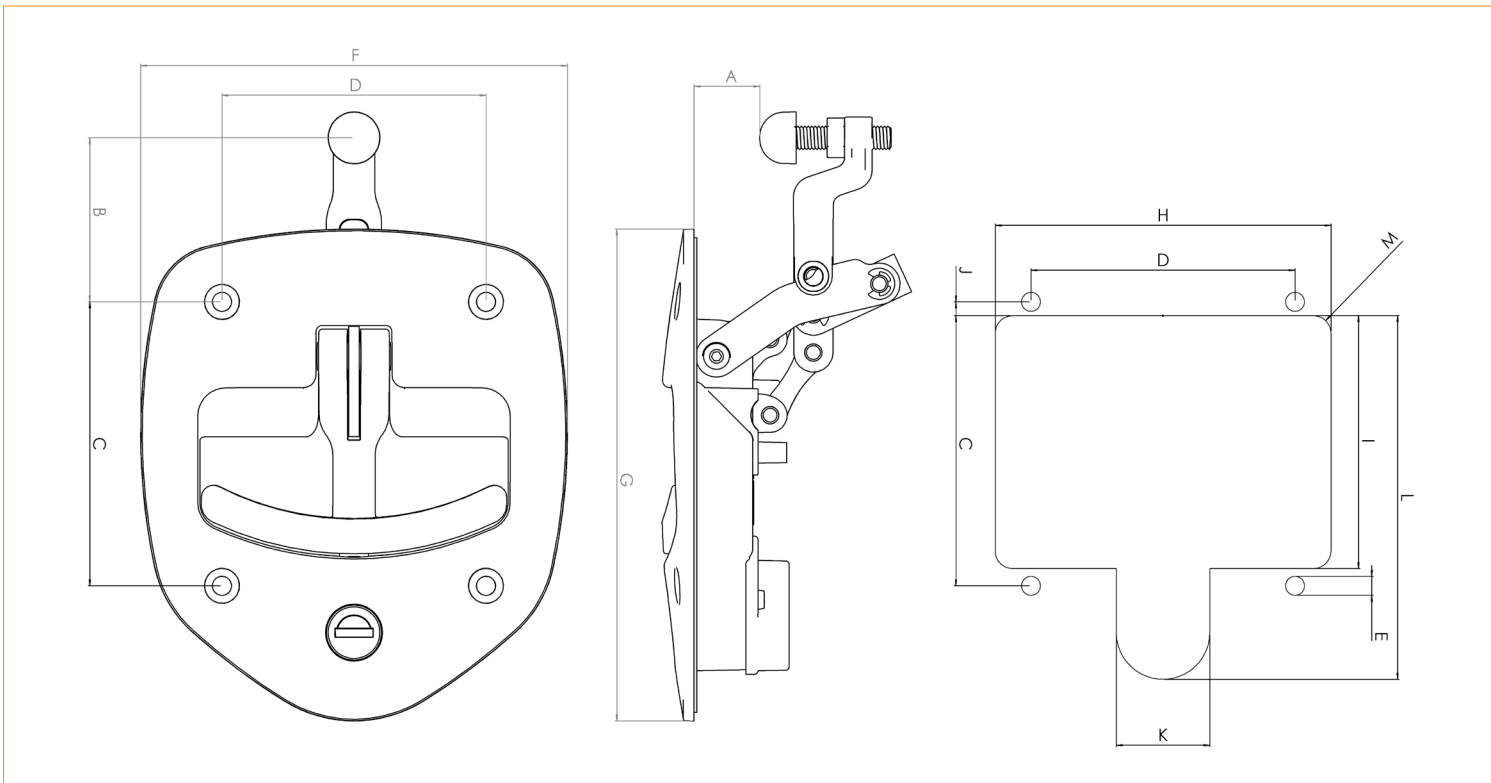


- 30% Glass Filled Nylon construction with neoprene seal
- Utilises driMET Technology
- Fits standard cut-out
- Patent protected
- IP65 Rated
- UV Stable

Use your smart phone
to find out more....



YOUR ACCESS, CONTROLLED



ORDERING CODE

9/03500

Compression Drop-T

SPECIFICATION

A	Grip Range	10-30mm
B	Reach	47mm
C	Hole Centres	82mm
D	Hole Centres	76.3mm
E	Hole Diameter	5.5mm
F	Latch Width	123mm
G	Latch Length	142mm
H	Panel Cut-out	97mm
I	Panel Cut-out	73mm
J	Panel Cut-out	4mm
K	Panel Cut-out	27mm
L	Panel Cut-out	105mm
M	Panel Cut-out	R5mm

driMET Compression Drop-T Test Data

- Accelerated life cycle >25,000 cycles
- Environmental operation -18°C to +80°C
- Ingress Protection IP65
- Salt spray test 240 hours
NSS BS EN. 1670:2007, Grade 4.
- Gasket take-up Compression up to 4mm
- Housing UV stability Over 3 years in global applications
- Recommended fixing torque 4.5Nm
- Maximum recommended closing force 75N
- UK Patent application number GB1210157.2
- US Patent application number 13/606,194

WESTON
BODY HARDWARE 

w: www.westonbodyhardware.com

a: Crossgate Road, Park Farm,
Redditch, B98 7SN, UK

t: +44 (0) 1527 516060

f: +44 (0) 1527 526060